

11329

FORD FUSION, MERCURY MILAN
MAZDA 6, 06 LINCOLN ZEPHYR / 07-CURRENT MKZ

1/12/2021

GROSS LOAD CAPACITY WHEN USED AS A WEIGHT CARRYING HITCH: 2,000 LBS. TRAILER WEIGHT & 200 LBS. TONGUE WEIGHT.

*****DO NOT EXCEED VEHICLE MANUFACTURER'S RECOMMENDED TOWING CAPACITY.*****

WARNING: ALL NON-TRAILER LOADS APPLIED TO THIS PRODUCT MUST BE SUPPORTED BY AUXILIARY STABILIZING STRAPS.

**** FAILURE TO PROPERLY SUPPORT NON-TRAILER LOADS WILL VOID PRODUCT WARRANTY****

HAVING INSTALLATION QUESTIONS? CALL TECHNICAL SUPPORT AT 1-866-287-8634

Parts List			
ITEM	QTY	PART NUMBER	DESCRIPTION
1	2	10-10278	BOLT,CAR,1/2-13 UNC,1-1/4,GRD8,YZ
2	2	CM-SP12	.250 x 1.00 x 2.00" SQUARE HOLE SPACER
3	4	20-00062	NUT, SER-FLANGE,1/2-13 UNC,GRD8,YZ
4	2	10-10287	BOLT,CAR,1/2-13 UNC,1-1/2,GRD8,YZ
5	2	CM-SP62	.250" SPACER PLATE
6	2	10-10559	HHCS,M8x1.25,30,CL10.9,ZP
7	2	30-00195	WASHER,FLAT,5/16,YZ
9	2	30-00124	WASHER,LOCK,5/16

EXISTING WELDNUT

BUMPER BEAM

MUST DRILL HOLES ON EACH SIDE FOR FORD FUSION MODEL

**** SPECIAL NOTE ****
NOTCH FASCIA AS NEEDED TO PROVIDE CLEARANCE FOR HITCH

EXISTING WELDNUT
REMOVE EXISTING BOLT FROM VEHICLE (BOTH SIDES)

MUST DRILL HOLES ON EACH SIDE FOR MAZDA 6 MODEL (NO DRILLING REQUIRED ON SPORT WAGON)

SPARE TIRE TRUNK PAN

FRONT
↑
REAR

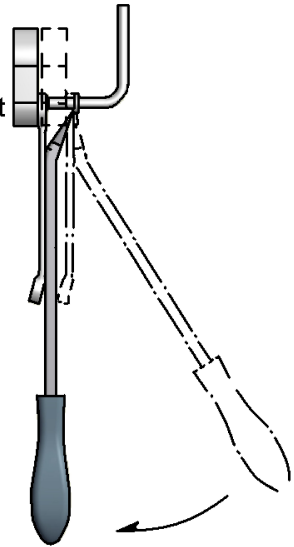
DESIGNED FOR USE WITH BALL MOUNT # D-221

RUBBER ISOLATOR REMOVAL DIAGRAM

This technique can be used if and Exhaust Hanger Removal Pliers is not available.

Using a 5/8" open end wrench, slide the wrench up to the rubber isolator, cradling the hanger rod as shown. Next place the flat edge of a pry bar between the wrench and the hanger stop or hanger rod. Then simply rotate the pry bar toward the wrench to remove the rubber isolator.

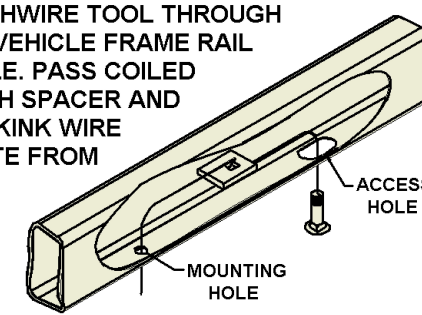
Note: Using a spray lubricant or soapy water on the hanger rod and the rubber isolator helps removal.



FISHWIRE TECHNIQUE

INSERT COILED END OF FISHWIRE TOOL THROUGH HITCH MOUNTING HOLE IN VEHICLE FRAME RAIL AND OUT THE ACCESS HOLE. PASS COILED END OF FISHWIRE THROUGH SPACER AND THREAD BOLT INTO COIL. KINK WIRE TO KEEP SPACER SEPERATE FROM BOLT AS SHOWN. PULL FISHWIRE, SPACER, AND BOLT THROUGH FRAME AND OUT MOUNTING HOLE. USE FISHWIRE TO GUIDE HITCH DURING MOUNTING AND PREVENT LOSS OF BOLT / SPACER INSIDE FRAME RAIL.

NOTE: SOME VEHICLES MAY FISHWIRE THROUGH END OF FRAME



HITCH WEIGHT: 28 LBS.

INSTALL TIME

PROFESSIONAL: 45 MINUTES

NOVICE (DIY): 90 MINUTES

INSTALL NOTES:

- MAY REQUIRE DRILLING
- MAY REQUIRE FASCIA TRIMMING
- LOWER EXHAUST

INSTALLATION STEPS

- 1) Lower mufflers, remove (2) 8mm hex bolts from bumper beam (as shown), and 2 rubber plugs from spare tire well.
- 2) Raise hitch into position over exhaust, aligning bumper beam weld nuts with each side plate.
- 3) Install supplied 8mm hex bolts, 5/16" lock washers, and 5/16" flat washers into bumper beam weld nuts.
- 4) Fishwire a 1/2" x 1 1/4" carriage bolt and CM-SP12 spacer into the bumper beam rail on both sides as shown.
- 5) Install remaining 1/2" carriage bolts and round spacers into spare tire well as shown. Use silicone caulk or equivalent to seal holes from exhaust fumes and water. (Note: Some models may require drilling for Steps 4 and 5)
- 6) Torque all 8mm fasteners to 23 ft-lbs. Torque all 1/2" fasteners to 110 ft-lbs.

PERIODICALLY CHECK THIS RECEIVER HITCH TO ENSURE THAT ALL FASTENERS ARE TIGHT AND THAT ALL STRUCTURAL COMPONENTS ARE SOUND.

Curt Manufacturing Inc., warrants this product to be free of defects in material and/or workmanship at the time of retail purchase by the original purchaser. If the product is found to be defective, Curt Manufacturing Inc., may repair or replace the product, at their option, when the product is returned, prepaid, with proof of purchase. Alteration to, misuse of, or improper installation of this product voids the warranty. Curt Manufacturing Inc.'s liability is limited to repair or replacement of products found to be defective, and specifically excludes liability for incidental or consequential loss or damage.